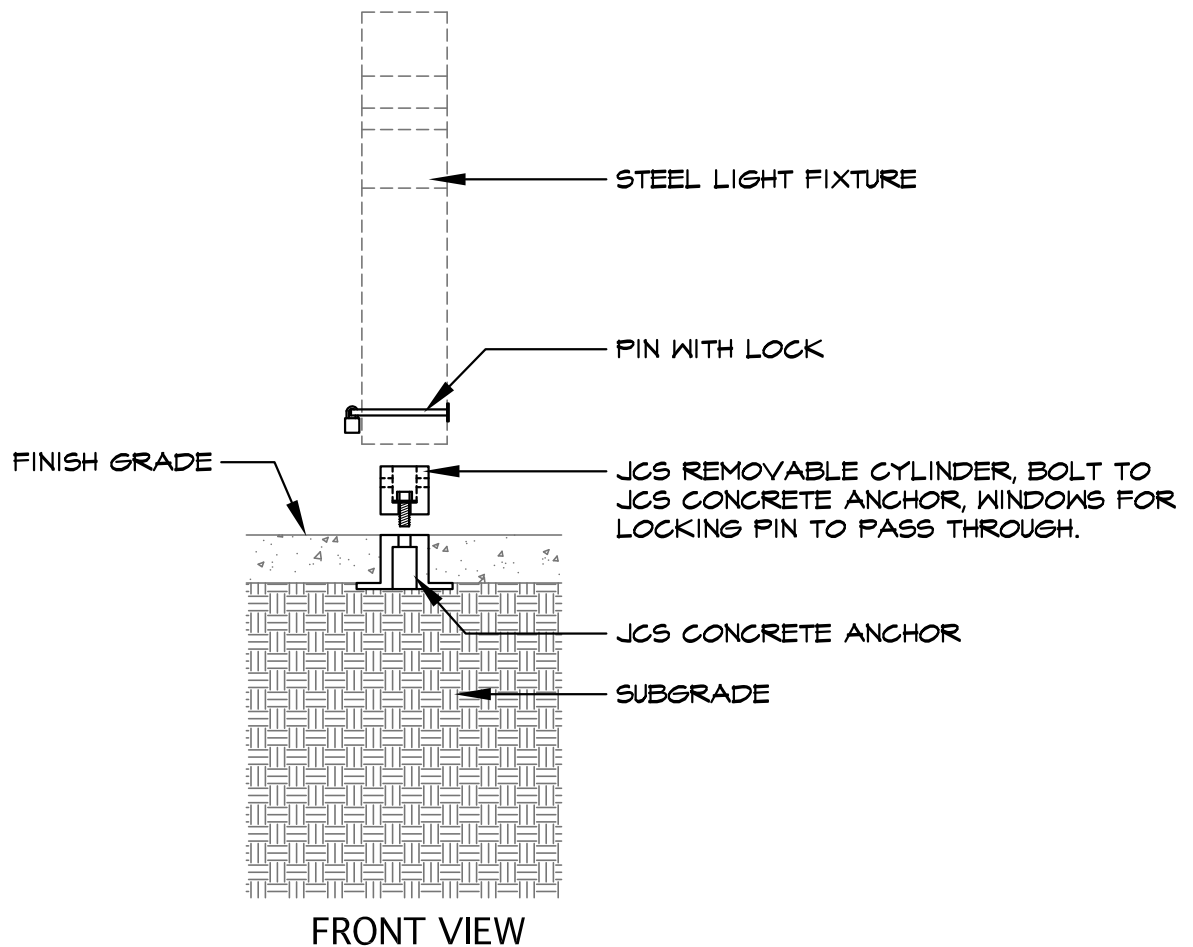


MOUNTING OPTION # 2

REMOVEABLE INSTALLATION



NOTE: ENTIRE ASSEMBLED FIXTURE DISTRIBUTED BY:
JACK CHANDLER, DESIGNS IN STEEL (707)486-5300

JACK CHANDLER
DESIGNS IN STEEL

P.O. BOX 2654
YOUNTVILLE, CA 94599
PHONE: 707.486.5300

www.JackChandlerDesign.com